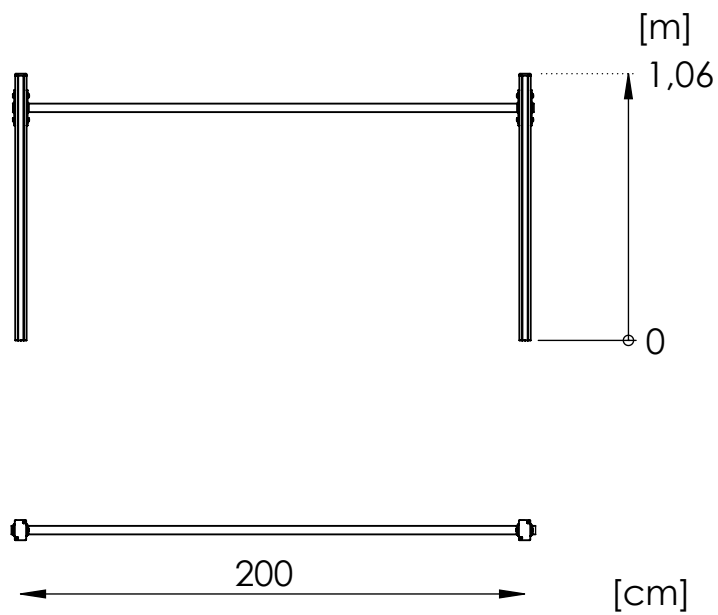


# Product Datasheet

## Fence OG-20



### Materials used:

- construction post made of anodized aluminum profile rectangular 45 mm x 80 mm,
- powder coated steel elements with a zinc primer,
- fasteners: stainless screws.

### Assembly:

The set is mounted in the ground using hot-dip galvanized steel anchors.  
Foundations made of C20/25 class concrete.